



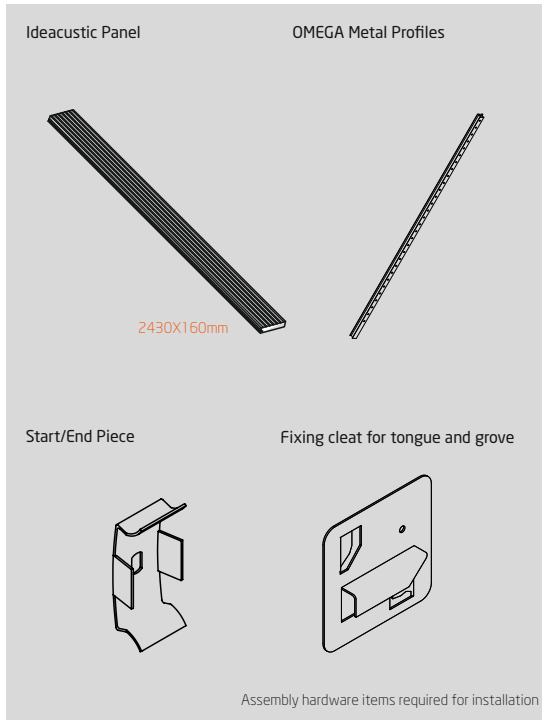
ideacoustic

INSTALLATION GUIDE

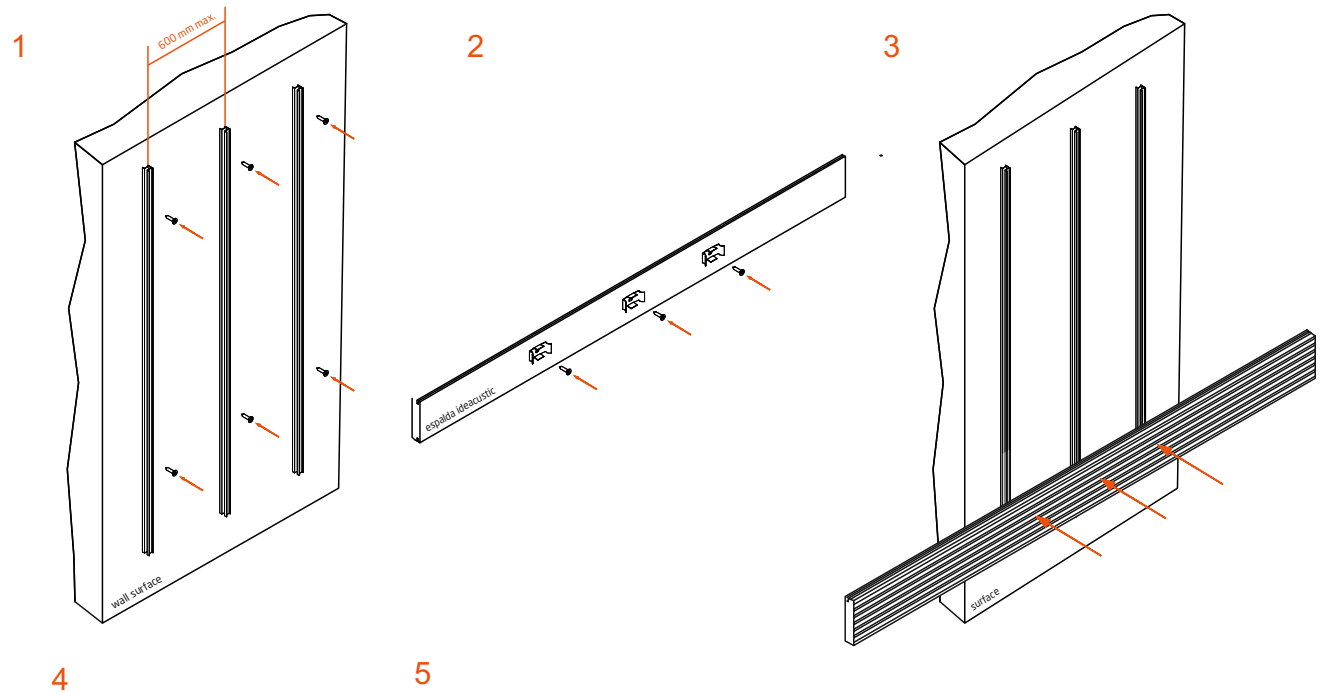
ideatec   
advanced acoustic solutions

## Wall panels

### Items required



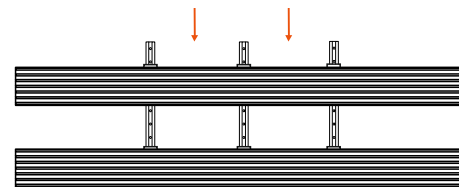
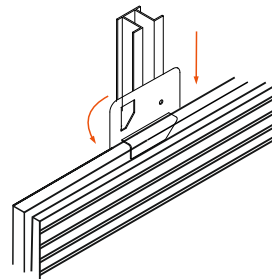
### Mounting system



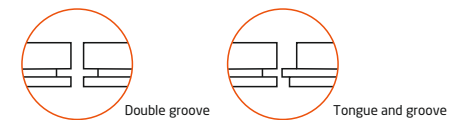
### Information

Steps to assemble IDEACUSTIC panels on Omega Metal Profiles:

- 1: Attach the metal profile to the wall surface with screws.
- 2: Screw up **only**, and on the same way, the start/end piece on the first and the last panel.
- 3: Attach the panel to the wall surface by coupling the fixing cleats and the profile.
- 4: Introduce and turn, with just a twist, the fixing cleat inside the profiles and after each panel. Move the connecting MDF piece towards the panel.
- 5: Attach the next panel with another fixing cleat until installation is finished.

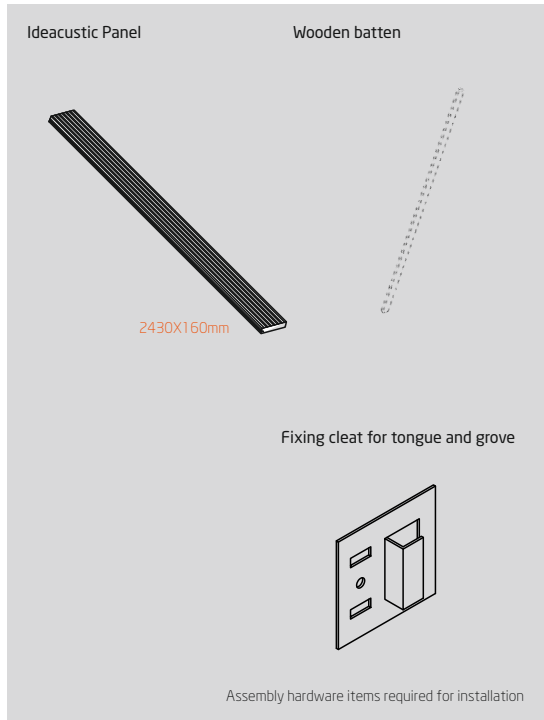


### Types of edges

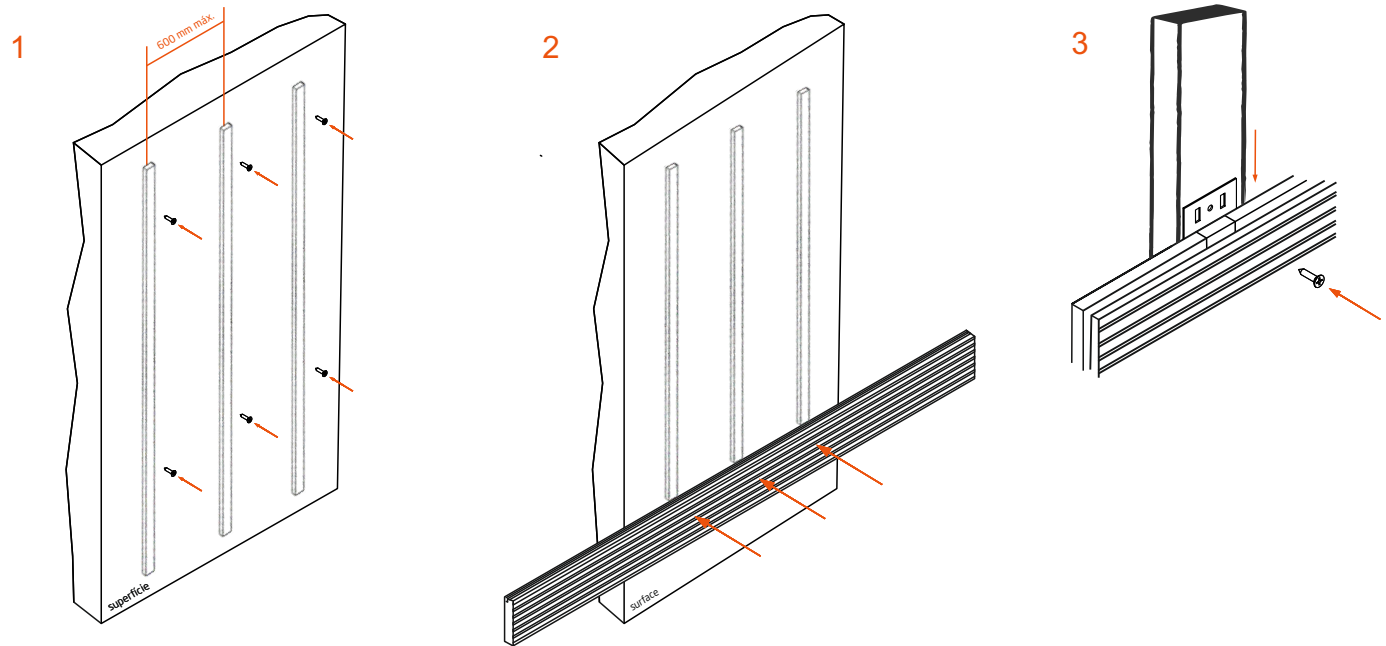


## Wall panels

### Items required



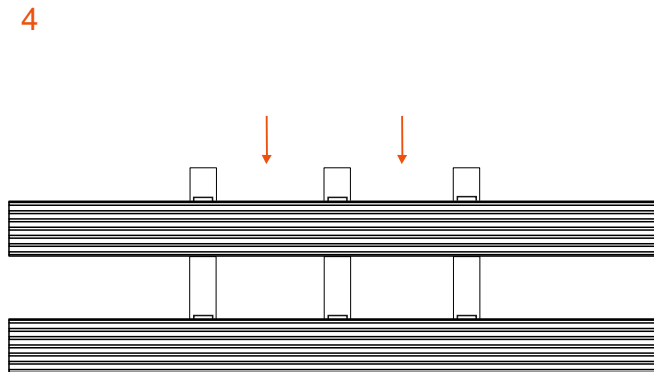
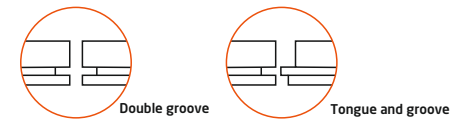
### Mounting system



### Information

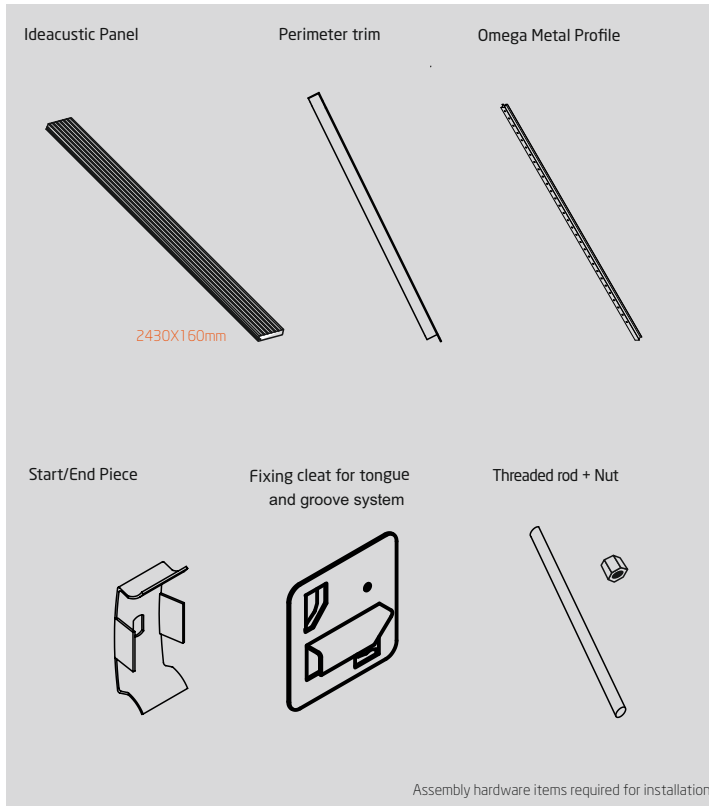
- Steps to assemble IDEACUSTIC panels on wooden battens
- 1: Attach the wooden batten to the wall surface with screws.
  - 2: Put the panel on the wooden batten structure.
  - 3: Put the fixing cleat on the tongue and groove side of the panel and screw.
  - 4: Attache the next panel with another fixing cleat until intallation is finished.

### Types of edges

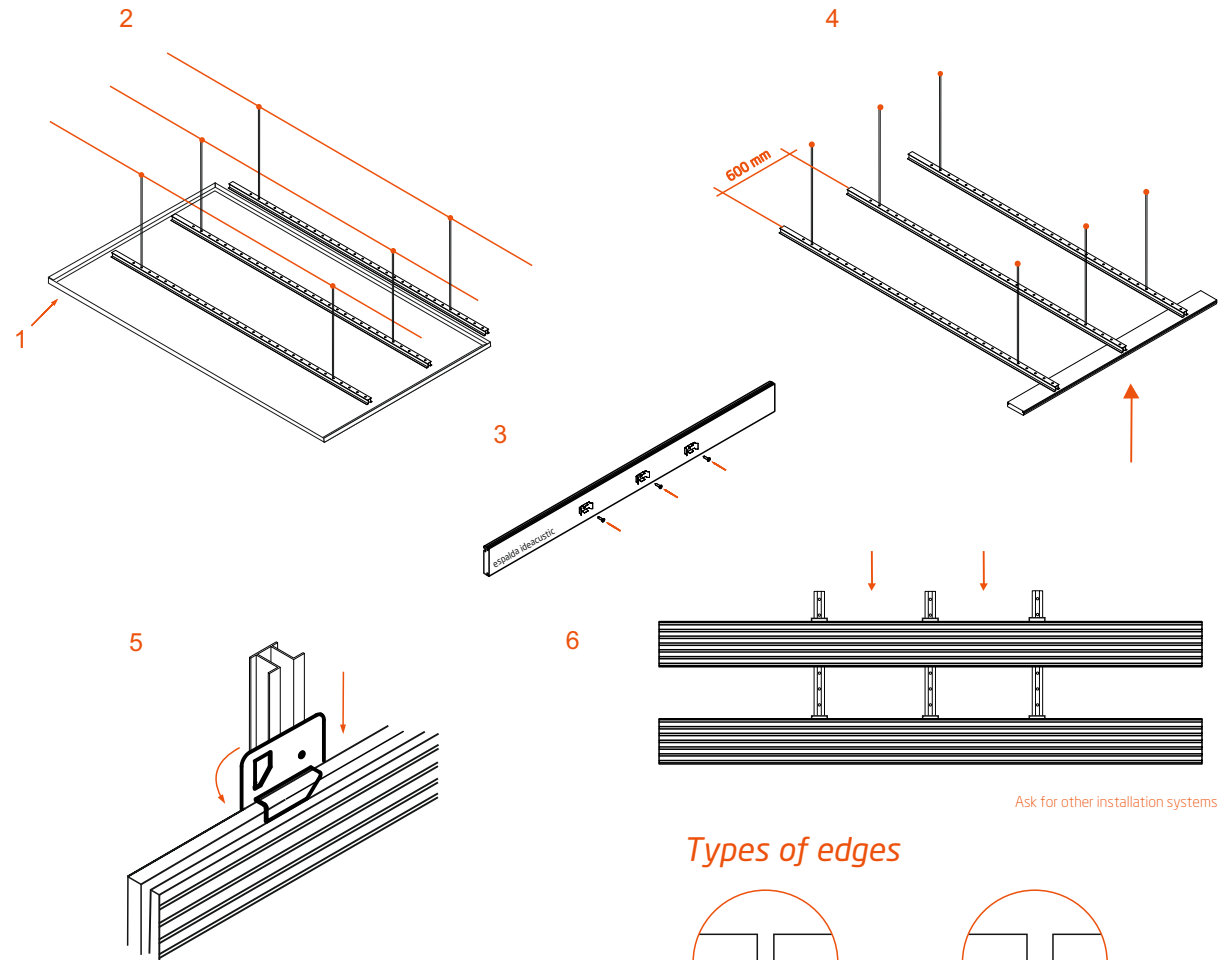


## Ceilings

### Items required



### Mounting system



### Information

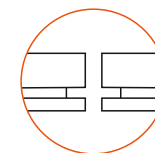
Steps to assemble IDEACUSTIC panels:

- 1: Put and level the perimeter trims on the perimeter of the area that needs to be covered.
- 2: Set out the geometric situation of the fixing items (threaded rod, metal profiles...)
- 3: Screw the Start/End piece just on the first and last panel.
- 4: Attach the panel to the profile by pressing the fixing cleat against the profile.
- 5: Introduce and turn, with just a twist, the fixing cleat inside the profiles and after each panel. Move the connecting MDF piece towards the panel.
- 6: Attach the next panel with another fixing cleat till complete the installation.

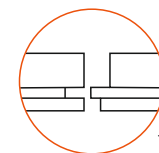
\* It is possible to install it on ceilings with wooden battens. The installation is similar to the wall installation.

\*\* It is possible to install it with other formats and edges. Please check Ideapefo installation guide.

### Types of edges



Doble groove

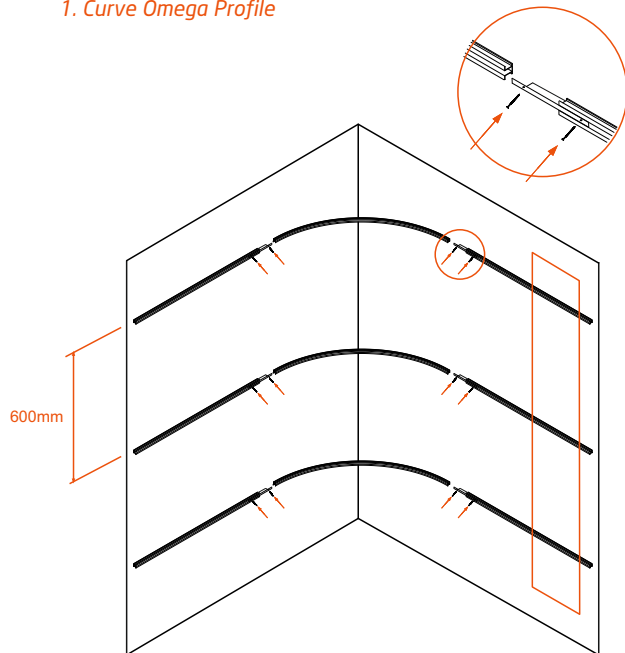


Tongue and groove

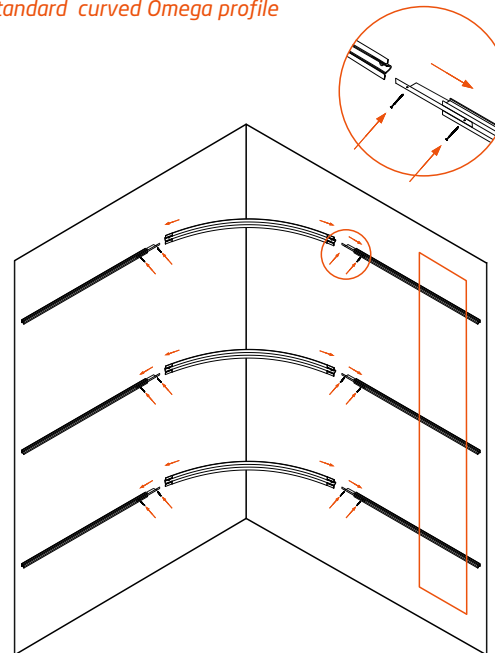
## Wall curves solutions

### Mounting system

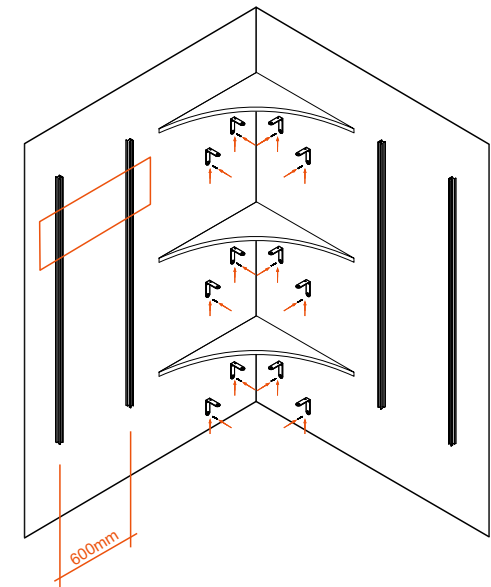
1. Curve Omega Profile



2. Standard curved Omega profile



3. Curve with Flex panels



### Information

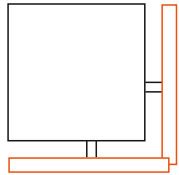
Steps to assemble IDEACUSTIC panels:

- 1: Omega Curved Perfil: place the curved profiles at the same level as the installed omega and screw them to the fixing cleat. (Panel installed vertically)
- 2: Flat Curved Profile: attach and screw part of the fixing cleat to the omega profile body. Then, attach the flat curved profile and screw it to the whole. (Panel installed vertically).
- 3: Curve with Flex panels: Screw the metal angle to the wall and MDF ribs. Install the Flex panel on the ribs as with the Ideacoustic panels, screwing the Start/End pieces on the ribs profiles and using the double groove fixing cleat. (Panels installed horizontally).

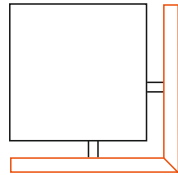
\*Approximate measurements. Ask for different widths depending on the radius of curvature.  
Minimum radius 1 m.

**Corners alternatives**

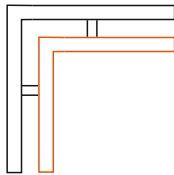
*Frame edge*



*Miter joint*

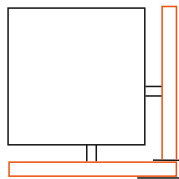


*Interior corner*

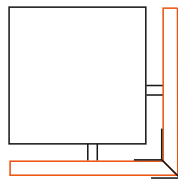


**Machined trims**

*Outline 9090*

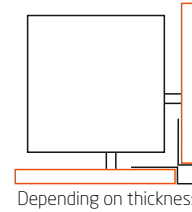


*Outline 9448*

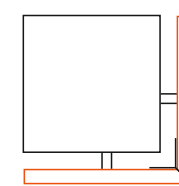


**Non-machined trims**

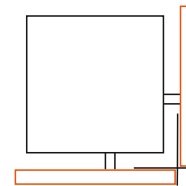
*Outline 9400-9080*



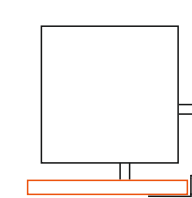
*Outline 9439*



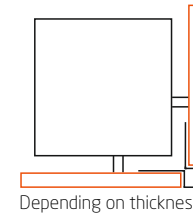
*Outline 9430*



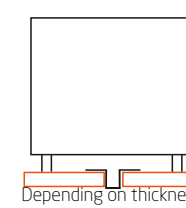
*Outline 9432*



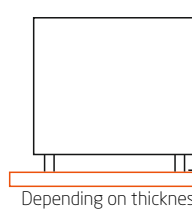
*Outline 9460-9461*



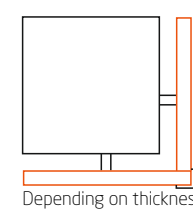
*Outline 9311-9315*



*Outline 9407-9408*



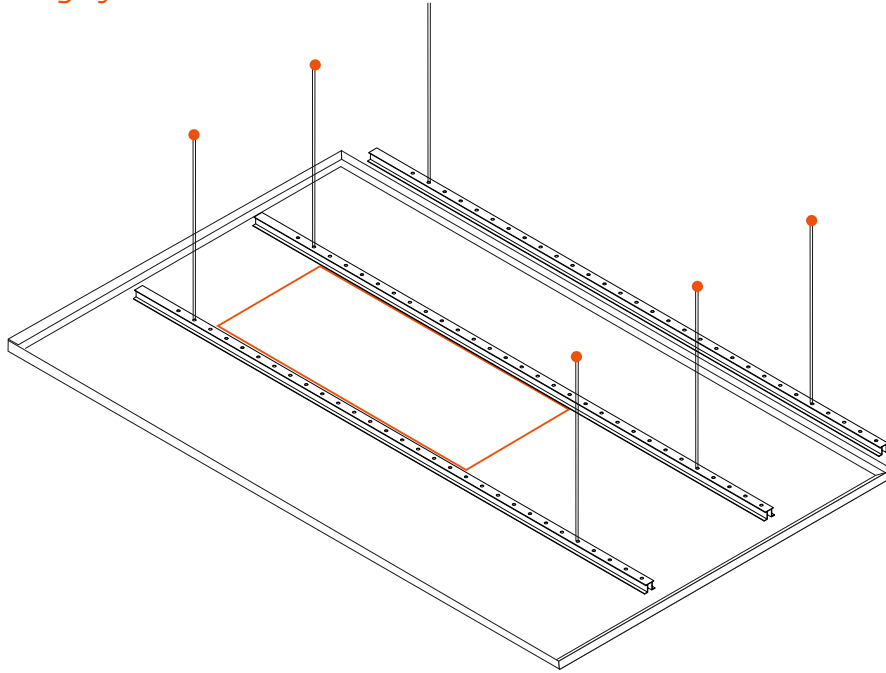
*Outline 9434-9435-9436-9437*



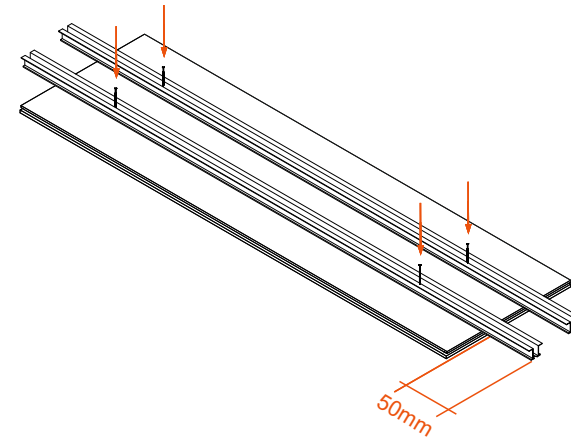
## Access panel solution

### Mounting system

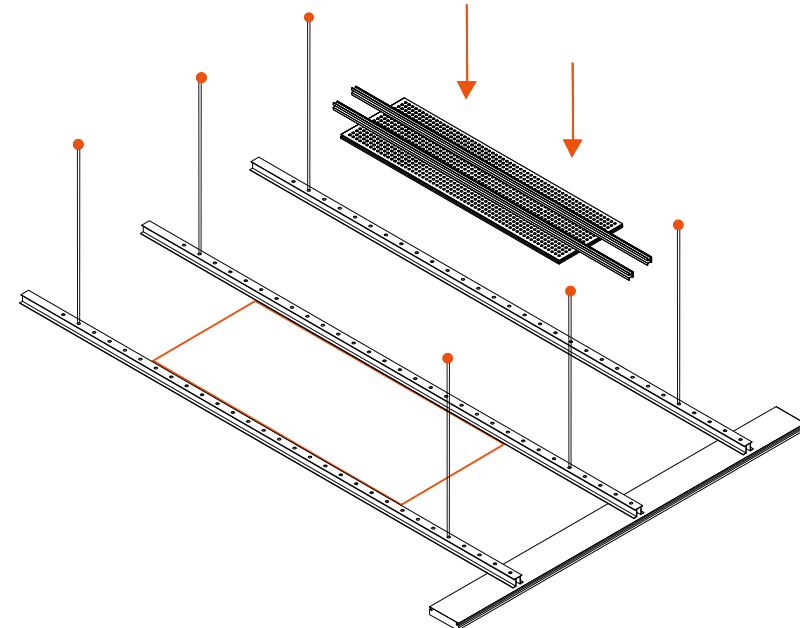
1



2



3



6

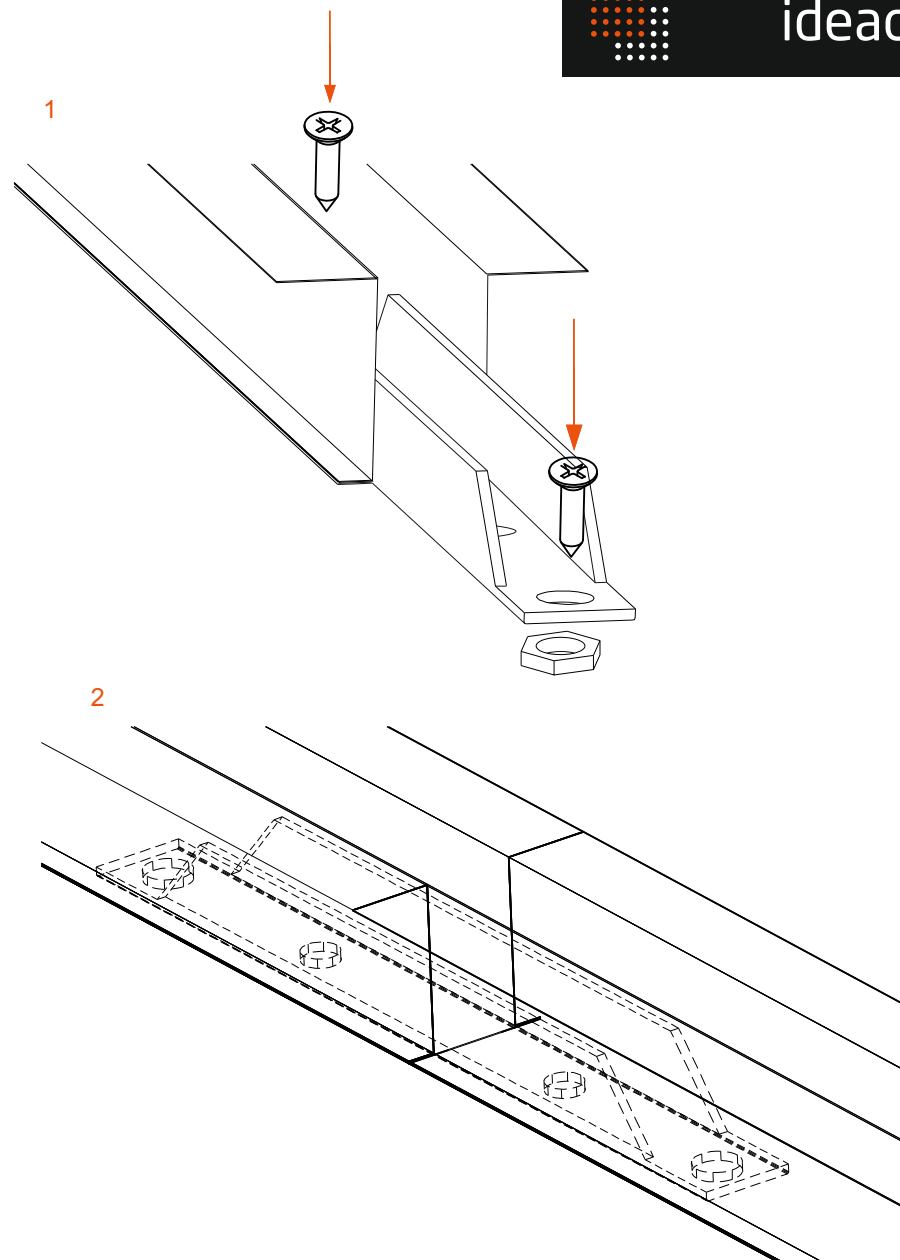
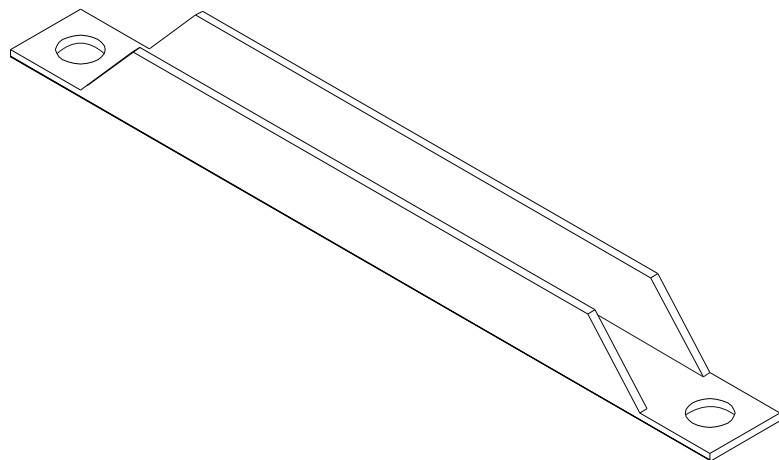
### Information

Steps to assemble IDEACUSTIC access panels:  
 1: Spot the access space.  
 2: Screw, upside down, omega profiles to the Ideacoustic panel. Leave 50 mm more on each side.  
 3: Lay the panel on the assembled structure.

\*\*All the panel profiles will be squared.

## How to join OMEGA pieces

### Piece



### Information

Steps to assemble the **OMEGA** metal profiles:  
 1: Fit the fixing cleat to one of the OMEGA metal profiles.  
 2: Joint the OMEGA profile in the same way.  
 3: Screw each OMEGA profile to ensure a good support.

\*\*Four groove panel



## INSTALLATION ITEMS REQUIRED PER M2

### WALL PANELLING INSTALLATION ITEMS

Omega	0,44 lm
Start/End piece	3,43 units
Fixing cleat double Groove/tongue & groove	3,43 units
Joint Omegas	3,43 units
Biscuit	0,11 units
Wooden batten	0,44 lm

**COMMENTS:** Applicable for Ideacoustic double groove or tongue & groove panels with OMEGA metal profile or wooden batten.

### SUSPENDED CEILING INSTALLATION ITEMS

Omega	0,44 ml
Start/End piece	3,43 units
Fixing cleat double groove/tongue & groove	3,43 units
Nut	2,74 units
Threaded rod	2,74 units
Joint Omegas	3,43 lm
Biscuit	0,44 lm

**COMMENTS:** Applicable for Ideacoustic double groove or tongue & groove panels, with OMEGA metal profile or wooden batten hanged with a threaded rod leaving a specific plenum.



## USE AND HANDLING RECOMMENDATIONS

### IMPORTANT

These instructions are general guidelines and may vary depending on the project. Ideatec Advanced Acoustic Solutions will not be in any case responsible for injuries or property damages. In case of doubt, consult a specialized installer or builder before doing any structural work. If you have any questions or comments about this product, please do not hesitate to contact Ideatec Advanced Acoustic Solutions.

### GENERAL PROPERTIES

Wood may present differences and deviations with regard to colour, grain and structure which could not be considered as possible defects. Wood retracts and extends itself caused by moisture, thus an acclimatisation process is needed.

The acoustic black fleece is a product derived from fabric with limit elastic properties and a maximum fabric tension. It is likely that small ripples appear, however they are not significantly perceptible except when the light strikes directly.

### CERTIFICATES

Ideatec Advanced Acoustic Solutions is certified with CE, FSC, PEFC, ISO 9001 and ISO 14001. Certified wood FSC y PEFC are subject to availability.

### DELIVERY

Ideatec Advanced Acoustic Solutions products are sent on protected boxes to prevent possible damages during transport. The pallets must be downloaded one by one and transported to the work site with a forklift truck or similar. Boxes must be open carefully in case sharp tools are used to avoid damaging the product.

### ENVIRONMENTAL CONDITIONS

The material must be kept on the work site minimum 24 hours before its installation. It is recommended between 48 to 72 hours. The appropriate temperature and humidity conditions are 18 to 25° and a relative humidity of 40% to 60%.

Do not place the products on the floor, sand, concrete or similar surfaces, always place them on pallets. Do not expose them to ultraviolet light to avoid a possible discolouration.

### INSTALLATION

According to the technical recommendations of this guide, a minimum 5mm expansion joint every 5 to 6 meters is recommended. For concealed T system, it is needed to leave joints on both ends of the room. In case of rooms with more than 7/8 meters long, leave joints every 7 meters.

Leave a 10/20mm gap on the perimeter for Idealux LT and Idealux LR.

### HANDLING

Use gloves to avoid damages or fingerprints. Make sure space for the installation of lights or similar is available if it is required. Clips, fixing pieces and profiles are metal components which may damage the material. They should be handled with care.

### MAINTENANCE

Use a soft, damp, non-linting cloth. It is possible the use of a soft and neutral cleaning product (not applicable to Ideafabric and Ideafabric families). Always test the product in the less visible area to avoid visible and irreversible damages.



pro8



standard32



high16 FLEX

v4.2017.02.09



**Ideatec**  
Pol. Ind. Santa Fe // Comuna di Carrara, 10  
03660 Novelda (Alicante) Spain  
T. +34 965 609 046 // +34 965 609 162 // F. +34 965 609 163  
[www.ideatec.es](http://www.ideatec.es) // [info@ideatec.es](mailto:info@ideatec.es)