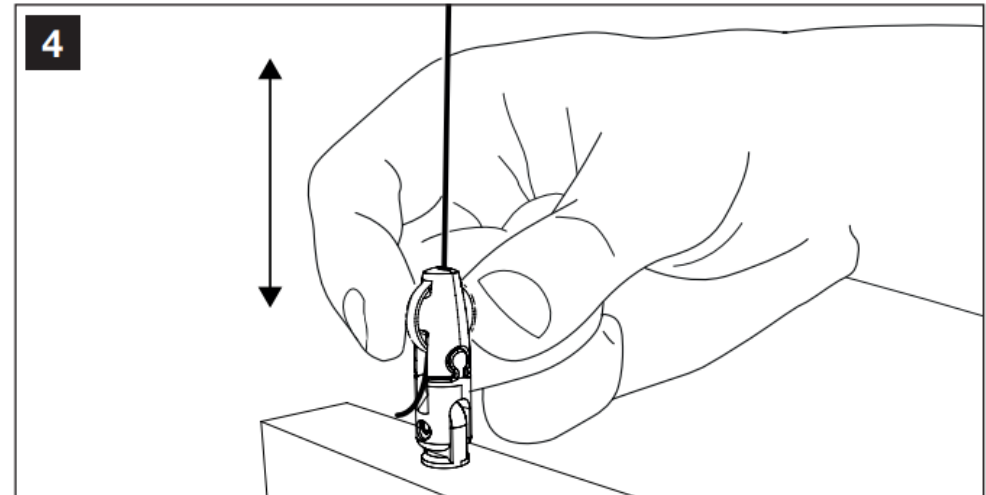
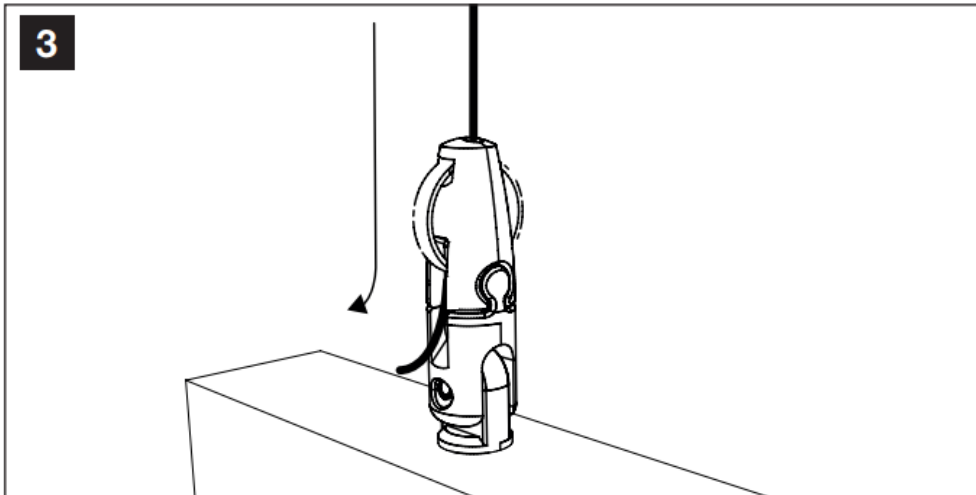
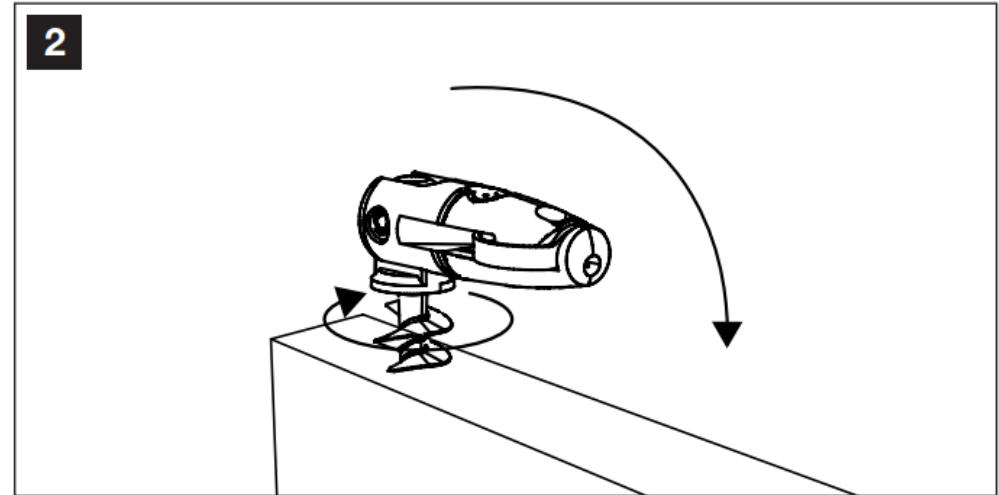
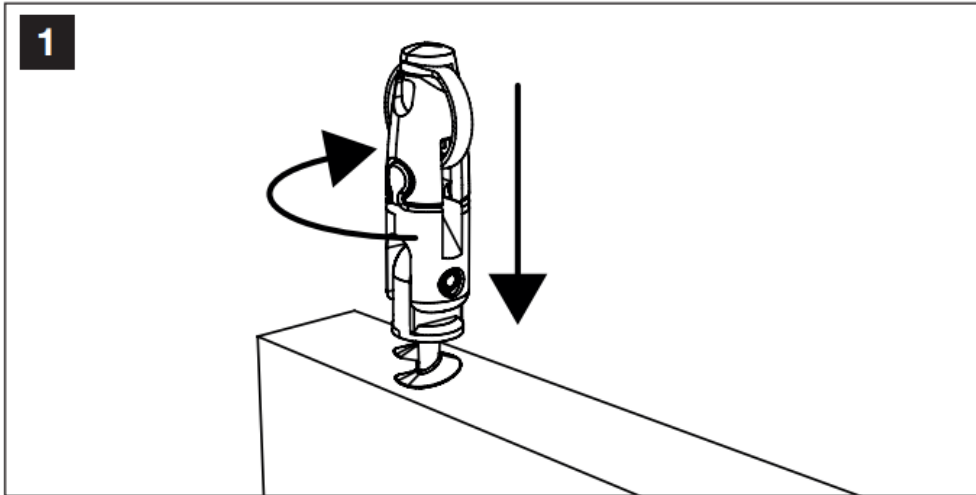


Baffle Installation Guide - Mini-Helix Cable Hanger



1. Open the Mini-Wave Baffle and place spacer inside (adhesive can be added to the spacer for reinforcement)
2. Follow steps 1-3 to insert baffle hanger
3. Suspend the Mini-Wave Baffle from ceiling grid or other structural ceiling fixtures that can uphold baffle